

Please read this manual carefully before installation and keep it for future reference.

Remote Control User Manual



MRCOOL™
COMFORT MADE SIMPLE

Please keep this manual where the operator can easily find it.
Inside you will find helpful hints on how to use and maintain your
unit properly.

For more details visit www.MrCool.com

CONTENTS

Remote controller Specifications..... 2

Operation buttons 3

Indicators on LCD 6

How to use the buttons 7

Auto operation..... 7

Cooling/Heating/Fan operation..... 7

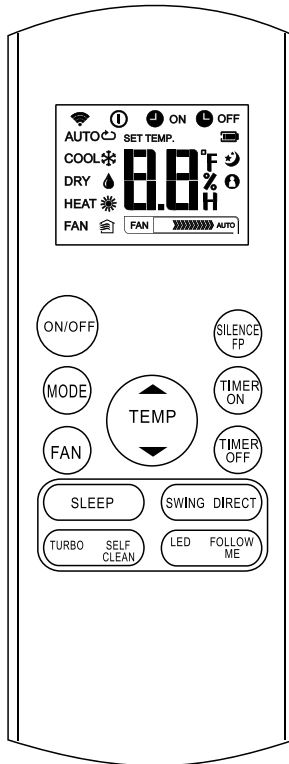
Dehumidifying operation 8

Timer operation..... 9

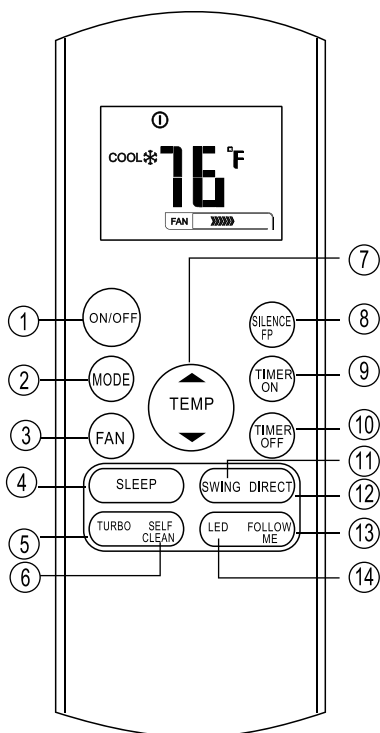
Handling the remote controller 13

Remote Controller Specifications

Model	R 57A6/BGEFU1
Rated Voltage	3.0V (Dry Batteries R03/LR03 x 2)
Signal Receiving	8m (26.25 ft.)
Remote Operation Setting Range	62°F - 86°F (16°C - 30°C)



Operation of buttons

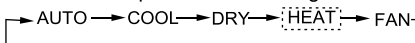


1 ON/OFF Button

This button turns the air conditioner ON and OFF.

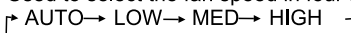
2 MODE Button

Press this button to modify the air conditioner mode in a sequence of following:



3 FAN Button

Used to select the fan speed in four steps:



NOTE: You can not switch the fan speed in AUTO or DRY mode.

4 SLEEP Button

- Active/Disable sleep function. It can maintain the most comfortable temperature and save energy. This function is available on COOL, HEAT or AUTO mode only.
- For the detail, see "sleep operation" in "USER'S MANUAL"

NOTE: While the unit is running under SLEEP mode, it would be cancelled if MODE, FAN SPEED or ON/OFF button is pressed.

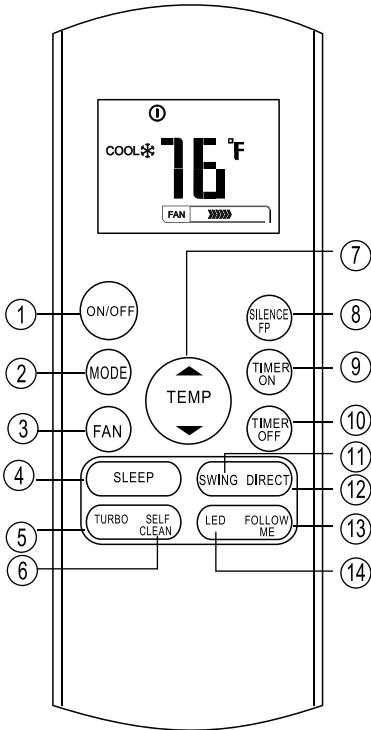
5 TURBO Button

Active/Disable Turbo function. Turbo function enables the unit to reach the preset temperature at cooling or heating operation in the shortest time.

6 SELF CLEAN Button

Active/Disable Self Clean function. Under SELF CLEAN mode, the air conditioner will automatically clean and dry the Evaporator and keep it as fresh for the next operation.

Operation of buttons



7 UP Button (▲)

Push this button to increase the indoor temperature setting in 1° increments (F or C depending on mode) to 86°F (30°C).

DOWN Button (▼)

Push this button to decrease the indoor temperature setting in 1° increments (F or C depending on mode) to 62°F (16°C).

NOTE: Temperature control is not available in Fan mode.

NOTE: Press and hold **UP** and **DOWN** buttons together for 3 seconds will alternate the temperature display between the °C & °F scale.

8 SILENCE/FP Button

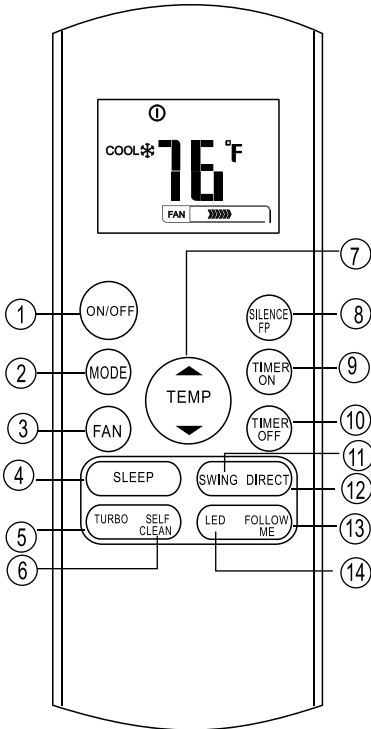
- Active/Disable SILENCE function. If pushing more than 2 seconds, the 'FP' function will be activated, pushing more than 2 seconds again to disable.
- When the Silence function is activated, the compressor will operate at low frequency and the indoor unit will bring faint breeze, which will reduce the noise to the lowest level and create a quiet and comfortable room for you. Due to low frequency operation of compressor, it may result in insufficient cooling and heating capacity.
- The 'FP' function can only be activated during the heating operation (only when the setting mode is HEAT). The unit will operate at a setting temperature of 46° F (7.8° C). The display window of the indoor unit will display 'FP'. Press the buttons of ON/OFF, SLEEP, FP, MODE, FAN SPEED, UP or DOWN while operating will cancel the 'FP' function

9 TIMER ON Button

Press this button to initiate the auto-on time sequence. Each press will increase the auto-timed setting in 30 minutes increments. When the setting time displays 10.0, each press will increase the auto-timed setting 60 minutes increments. To cancel the auto-timed program, simply adjust the auto-on time to 0.0.

4

Operation of buttons



⑩ TIMER OFF Button

Press this button to initiate the auto-off time sequence. Each press will increase the auto-timed setting in 30 minutes increments. When the setting time displays 10.0, each press will increase the auto-timed setting 60 minutes increments. To cancel the auto-timed program, simply adjust the auto-off time to 0.0

⑪ SWING Button

Used to stop or start horizontal louver auto swing feature.

⑫ DIRECT Button

Used to change the louver movement and set the desired up/down air flow direction. The louver changes 6° in angle for each press.

⑬ FOLLOW ME Button

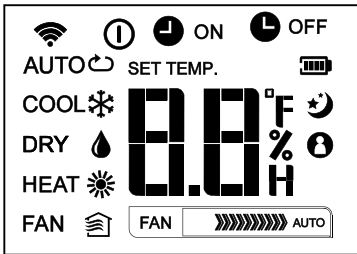
Push this button to initiate the Follow Me feature, the remote will display the actual temperature at its location. The remote control will send this signal to the air conditioner every 3 minutes until 'Follow Me' is pressed again. The air conditioner will cancel the Follow Me feature automatically if it does not receive the signal during any 7 minute interval.

⑭ LED Button

Disable / Enable indoor screen display. When pressed, the indoor screen display is cleared, press it again to light the display.

Indicators on LCD

Information are displayed when the remote controller is powered up.



Mode display

AUTO COOL DRY
HEAT FAN

- Displayed when data transmitted.
- Displayed when remote controller is ON.
- Battery display (low battery detection)

- ON Displayed when TIMER ON time is set.
- OFF Displayed when TIMER OFF time is set.

Show set temperature or room temperature, or time under TIMER setting.

- Displayed in Sleep Mode operation.
- Indicated that the air conditioner is operating in Follow me mode

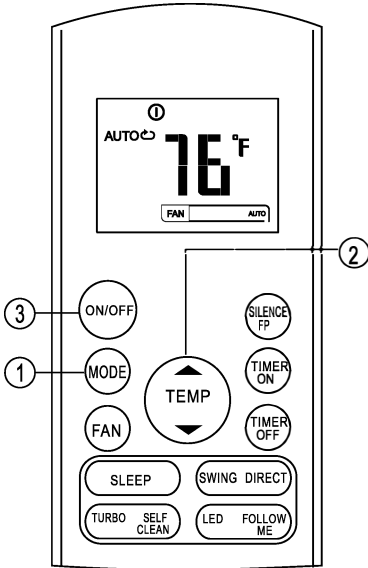
Fan speed indication

- FAN Low speed
- FAN Medium speed
- FAN High speed
- FAN Auto fan speed

Note:

All indicators shown in the figure are for the purpose of clear presentation. But during the actual operation only the relative functional signs are shown on the display window.

How to use the buttons



Auto operation

Ensure the unit is plugged in and power is on. The OPERATION indicator on the display panel of the indoor unit starts flashing.

1. Press the **MODE** button to select Auto.
2. Press the **UP/DOWN** button to set the desired temperature. The temperature can be set within a range of 62°F (16°C) to 86°F (30°C) in 1° increments (°F or °C depending on mode).

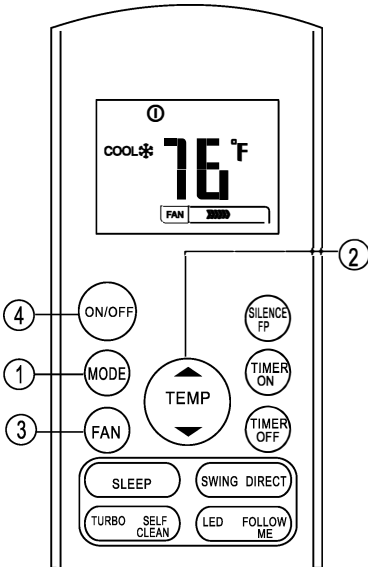
NOTE

1. In the Auto mode, the air conditioner can logically choose the mode Cooling, Fan, and Heating by sensing the difference between the actual ambient room temperature and the setting temperature on the remote control.
2. In the Auto mode, you can not switch the fan speed. It will be automatically controlled.
3. To deactivate Auto mode, the desired mode can be selected manually.

Cooling / Heating / Fan operation

Ensure the unit is plugged in and power is on.

1. Press the button to select COOL, **MODE** HEAT or FAN mode.
2. Press the **UP/DOWN** button to set the desired temperature. The temperature can be set within a range of 62°F (16°C) to 86°F (30°C) in 1° increments (°F or °C depending on mode).
3. Press the **FAN** button to select the fan speed in four steps- Auto, Low, Med, or High.

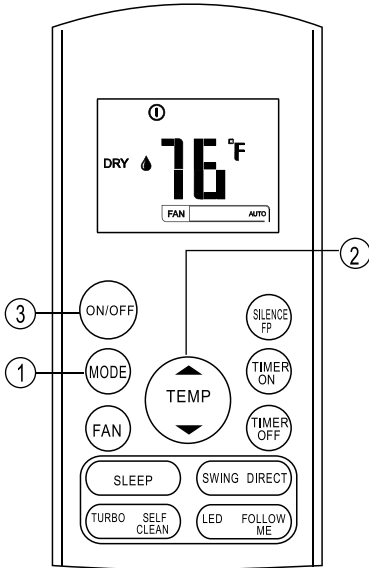


NOTE

In the FAN mode, the setting temperature is not displayed in the remote control and you are not able to control the room temperature either. In this case, only step 1 and 3 may be performed.

7

How to use the buttons



Dehumidifying operation

Ensure the unit is plugged in and power is on. The OPERATION indicator on the display panel of the indoor unit starts flashing.

1. Press the **MODE** button to select DRY mode.
2. Press the **UP/DOWN** button to set the desired temperature. The temperature can be set within a range of 62°F (16°C) to 86°F (30°C) in 1° increments (°F or °C depending on mode).

NOTE

In the Dehumidifying mode, you can not switch the fan speed. It will be automatically controlled.

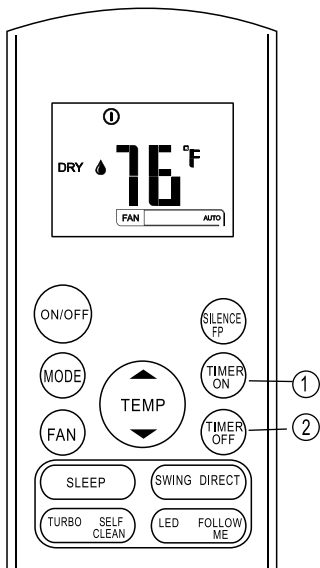
How to use the buttons

Timer operation

Pressing the TIMER ON button can set the auto-on time of the unit. Pressing the TIMER OFF button can set the auto-off time .

To set the Auto-on time.

1. Press the TIMER ON button. The remote control shows TIMER ON, the last Auto-on setting time and the signal "H" will be shown on the LCD display area. Now it is ready to reset the Auto-on time to START the operation.
2. Push the TIMER ON button again to set desired Auto-on time. Each time you press the button, the time increases by half an hour between 0 and 10 hours and by one hour between 10 and 24 hours.
3. After setting the TIMER ON ,there will be a one second delay before the remote control transmits the signal to the air conditioner. Then, after approximately another 2 seconds, the signal "h" will disappear and the set temperature will re-appear on the LCD display window.



To set the Auto-off time.

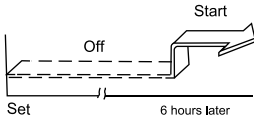
1. Press the TIMER OFF button. The remote controller shows TIMER OFF, the last Auto-off setting time and the signal "H" will be shown on the LCD display area. Now it is ready to reset the Auto-off time to stop the operation.
2. Push the TIMER OFF button again to set desired Auto-off time. Each time you press the button, the time increases by half an hour between 0 and 10 hours and by one hour between 10 and 24 hours.
3. After setting the TIMER OFF ,there will be a one second delay before the remote control transmits the signal to the air conditioner. Then, after approximately another 2 seconds, the signal "H " will disappear and the set temperature will re-appear on the LCD display window.

How to use the buttons

CAUTION

- When you select the timer operation, the remote control automatically transmits the timer signal to the indoor unit for the specified time. Therefore, keep the remote control in a location where it can transmit the signal to the indoor unit properly.
- The effective operation time set by the remote control for the timer function is limited to the following settings: 0.5, 1.0, 1.5, 2.0, 2.5, 3.0, 3.5, 4.0, 4.5, 5.0, 5.5, 6.0, 6.5, 7.0, 7.5, 8.0, 8.5, 9.0, 9.5, 10, 11, 12, 13, 14, 15,16,17, 18, 19, 20, 21, 22, 23 and 24.

Example of timer setting



TIMER ON (Auto-on Operation)

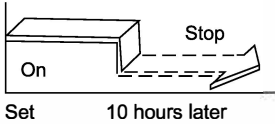
The TIMER ON feature is useful when you want the unit to turn on automatically before you return home. The air conditioner will automatically start operating at the set time.

Example:

To start the air conditioner in 6 hours.

1. Press the TIMER ON button, the last setting of starting operation time and the signal "H" will show on the display area.
2. Press the TIMER ON button to display "6.0H" on the TIMER ON display of the remote control.
3. Wait 3 seconds and the digital display area will show the temperature again. The "TIMER ON" indicator remains on and this function is activated.

How to use the buttons



TIMER OFF

(Auto-off Operation)

The TIMER OFF feature is useful when you want the unit to turn off automatically after you go to bed. The air conditioner will stop automatically at the set time.

Example:

To stop the air conditioner in 10 hours.

1. Press the TIMER OFF button, the last setting of stopping operation time and the signal "H" will show on the display area.
2. Press the TIMER OFF button to display "10H" on the TIMER OFF display of the remote controller.
3. Wait 3 seconds and the digital display area will show the temperature again. The "TIMER OFF" indicator remains on and this function is activated.

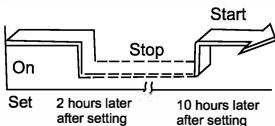
COMBINED TIMER

(Setting both ON and OFF timers simultaneously)

TIMER OFF → TIMER ON

(On → Stop → Start operation)

This feature is useful when you want to stop the air conditioner after you go to bed, and start it again in the morning when you wake up or when you return home.

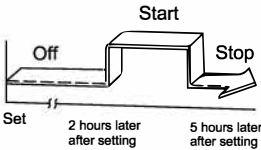


Example:

To stop the air conditioner 2 hours after setting and start it again 10 hours after setting.

1. Press the TIMER OFF button.
2. Press the TIMER OFF button again to display 2.0H on the TIMER OFF display.
3. Press the TIMER ON button.
4. Press the TIMER ON button again to display 10H on the TIMER ON display .
5. Wait 3 seconds and the digital display area will show the temperature again. The "TIMER ON OFF" indicator remains on and this function is activated.

How to use the buttons



TIMER ON → TIMER OFF

(Off → Start → Stop operation)

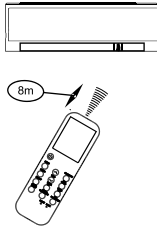
This feature is useful when you want to start the air conditioner before you wake up and stop it after you leave the house.

Example:

To start the air conditioner 2 hours after setting, and stop it 5 hours after setting.

1. Press the TIMER ON button.
2. Press the TIMER ON button again to display 2.0H on the TIMER ON display.
3. Press the TIMER OFF button.
4. Press the TIMER OFF button again to display 5.0H on the TIMER OFF display .
5. Wait 3 seconds and the digital display area will show the temperature again. The "TIMER ON & TIMER OFF" indicator remains on and this function is activated.

Handling the remote controller

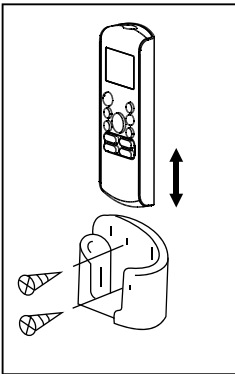


Location of the remote controller.

- Use the remote control within a distance of 8m(26.25 ft.) from the appliance, pointing it towards thereceiver. Reception is confirmed by a beep.

▲ CAUTIONS

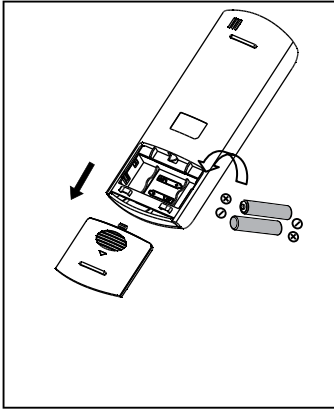
- The air conditioner will not operate if curtains, doors or other materials block the signals from the remote control to the indoor unit.
- Prevent any liquid from falling into the remote control. Do not expose the remote control to direct sunlight or heat.
- If the infrared signal receiver on the indoor unit is exposed to direct sunlight, the air conditioner may not function properly. Use curtains to prevent the sunlight from falling on the receiver.
- If other electrical appliances react to the remote control, either move these appliances or consult your local dealer.
- Do not drop the remote control Handle with care.
- Do not place heavy objects on the remote control, or step on it.



Using the remote control holder

- The remote control can be attached to a wall or pillar by using a remote control holder
- Before installing the remote control, check that the air conditioner receives the signals properly.
- Install the remote control with two screws.
- For installing or removing the remote control, move it up or down in the holder.

Handling the remote controller



Replacing batteries

The following cases signify exhausted batteries. Replace old batteries with new ones.

- Receiving beep is not emitted when a signal is transmitted.
- Indicator fades away.

The remote control is powered by two dry batteries (R03/LR03X2) housed in the back rear part and protected by a cover.

- (1) Remove the cover in the rear part of the remote control.
- (2) Remove the old batteries and insert the new batteries, placing the (+) and (-) ends correctly.
- (3) Install the cover back on.

NOTE: When the batteries are removed, the remote control erases all programming. After inserting new batteries, the remote control must be reprogrammed.

▲ CAUTIONS

- Do not mix old and new batteries or batteries of different types.
- Do not leave the batteries in the remote controller if they are not going to be used for 2 or 3 months.
- Do not dispose batteries as unsorted municipal waste. Collection of such waste separately for special treatment is necessary.



The design and specifications are subject to change without prior notice.
Consult with the sales agency or manufacturer for details.

For more details visit www.MrCool.com

Control remoto

Manual del usuario



MIRCOOL™
COMFORT MADE SIMPLE

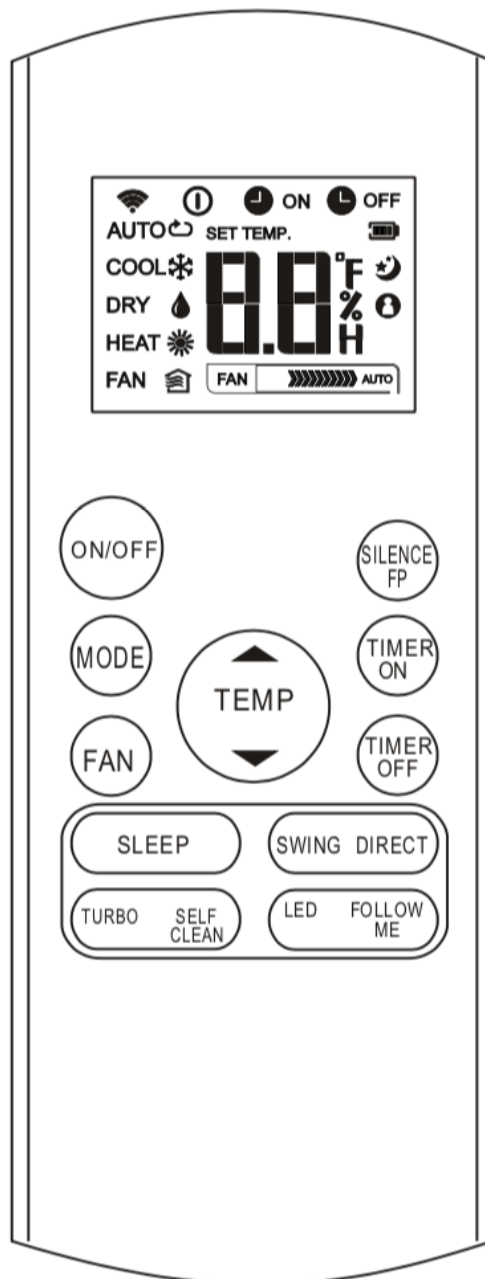
Guarde este manual donde el operador pueda encontrarlo fácilmente. En él encontrará datos útiles sobre cómo usar y mantener la unidad apropiadamente.

CONTENIDO

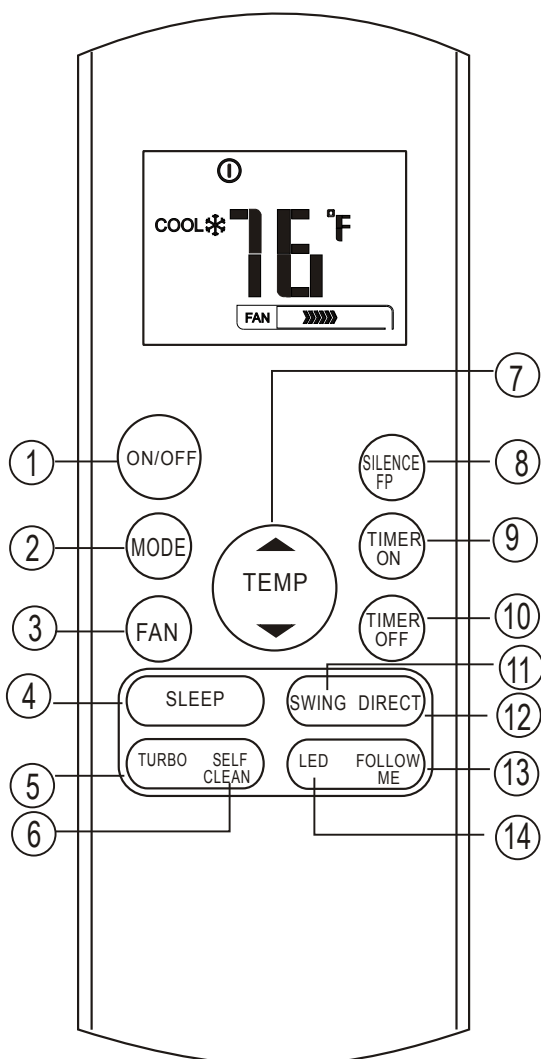
Especificaciones del control remoto	2
Funcionamiento de los botones	3
Indicadores de la LCD	6
Cómo usar los botones	7
Funcionamiento automático	7
Función enfriamiento/calefacción/ventilador.....	7
Función deshumidificación	8
Funcionamiento del temporizador	9
Manejo del control remoto	13

ESPECIFICACIONES DEL CONTROL REMOTO

Modelo	R 57A6/BGEFU1
Tensión nominal	3.0 V (baterías secas R03/LR03 x 2)
Rango de recepción de señal	8 m (25, 25 p)
Ambiente	16°C - 30°C (62° F- 86° F)



Funcionamiento de los botones

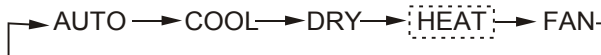


1 Botón ENCENDIDO/APAGADO

Cuando este botón es pulsado se inicia el funcionamiento y se detiene cuando el botón es pulsado otra vez.

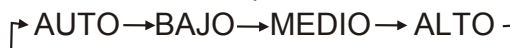
2 Botón MODO

Pulse este botón para modificar el modo del acondicionador de aire en esta secuencia:



3 Botón VELOCIDAD DEL VENTILADOR

Usado para seleccionar la velocidad del ventilador en cuatro pasos:



NOTE: No puedes cambiar la velocidad del ventilador en modo auto o seco

4 Botón DORMIR

- Activa/desactiva la función dormir. Mantiene la temperatura más agradable y ahorra energía. Esta función solo está disponible en los modos ENFRIAMIENTO/CALEFACCIÓN o AUTO.

- Para más información, consulte el funcionamiento del modo dormir en el MANUAL DEL USUARIO.

NOTA: Cuando la unidad esté operando en modo DORMIR, se cancelará si se pulsa algunos de estos botones: MODO, VELOCIDAD DEL VENTILADOR o ENCENDIDO/APAGADO.

5 Botón TURBO

Activa/desactiva la función Turbo. Esta función posibilita que la unidad alcance la temperatura preestablecida en funcionamiento para enfriamiento o calefacción, en el menor tiempo (si la unidad interior no permite esta función, no ocurre nada al presionar este botón).

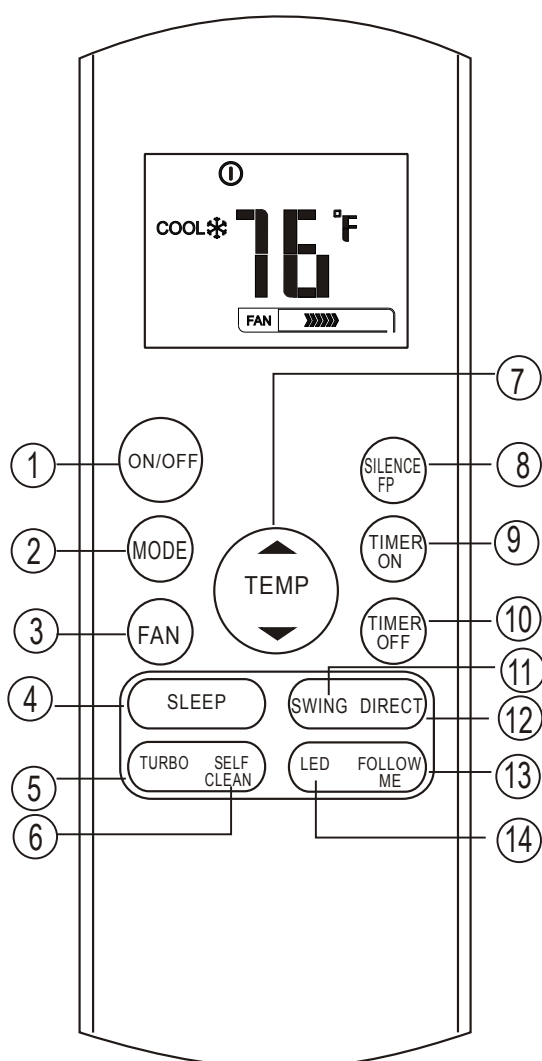
6 Botón AUTOLIMPIEZA

Activa/desactiva la función de auto limpieza. En el modo AUTO LIMPIEZA, el acondicionador de aire limpia y seca automáticamente el evaporador y lo mantiene igual de limpio para el siguiente uso.

3

Para más información consulte www.MrCool.com

Funcionamiento de los botones



7 Botón AUMENTO DE TEMPERATURA (▲)

Pulse este botón para aumentar el ajuste de la temperatura interior en 1°F, incrementa hasta 30°C.

● Botón DISMINUCIÓN DE TEMPERATURA (▼)

Pulse este botón para disminuir el ajuste de la temperatura interior en 1°F, decrece hasta 16°C.

NOTA: El control de temperatura no está disponible en el modo Ventilador.

NOTA: Mantener presionados los botones aumento y disminución simultáneamente durante 3 segundos alterna la visualización de la temperatura entre las escalas °C y °F.

8 Botón SILENCIO/FP

- Activa/desactiva la función SILENCIO. Si se pulsa por más de dos segundos, la función FP se activará, púlselo por más de dos segundos de nuevo para desactivarla.
- Cuando se activa la función Silencio, el compresor trabaja a baja frecuencia y la unidad interior produce una brisa sutil, lo cual reduce el ruido al nivel más bajo y hace que la habitación sea silenciosa y agradable para usted. A causa de la operación a baja frecuencia del compresor, podría hacer que la capacidad de enfriamiento y calefacción sea insuficiente.
- La función 'FP' solo se puede activar durante el funcionamiento para calefacción (solo cuando el modo de ajuste sea CALEFACCIÓN). La unidad trabajará a la temperatura establecida de 8°C. La ventana de visualización de la pantalla mostrará 'FP'. Al pulsar los botones ENCENDIDO/APAGADO, DORMIR, FP, MODO, VELOCIDAD DEL VENTILADOR o las flechas direccionales (ARRIBA o ABAJO) mientras está en funcionamiento, se cancelará la función FP.

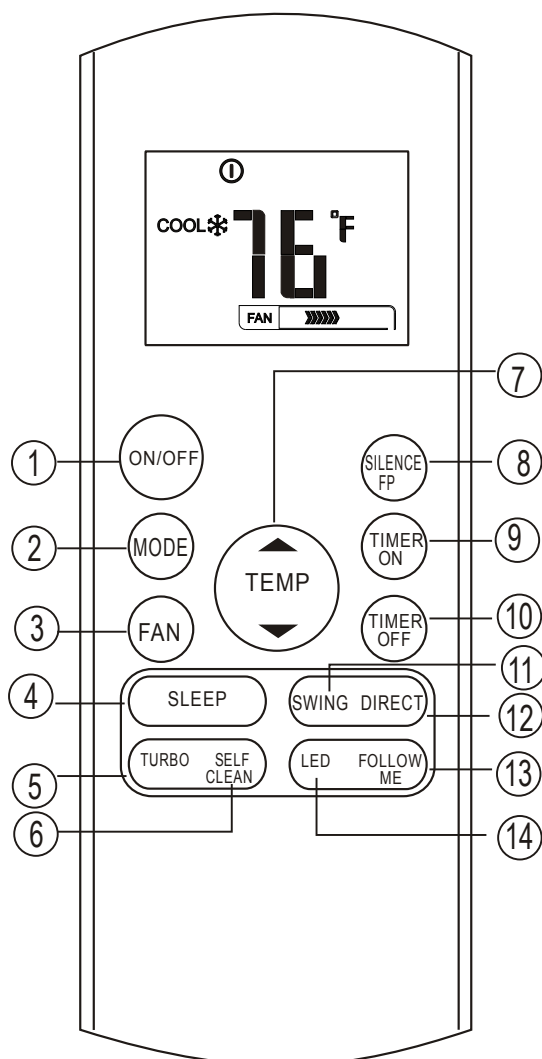
9 Botón TEMPORIZADOR ACTIVADO

Pulse este botón para iniciar la secuencia de tiempo de encendido automático. Cada vez que pulse, la configuración automática de tiempo se incrementará en 30 minutos. Cuando la configuración de tiempo muestra 10.0, cada vez que se pulse aumentará automáticamente la configuración en 60 minutos. Para cancelar el programa temporizado, simplemente ajuste el tiempo de encendido automático a 0.0.

4

Para más información consulte www.MrCool.com

Funcionamiento de los botones



10 Botón TEMPORIZADOR APAGADO

Pulse este botón para iniciar la secuencia de tiempo de apagado automático. Cada vez que pulse, la configuración automática de tiempo se incrementará en 30 minutos. Cuando la configuración de tiempo muestra 10.0, cada vez que se pulse aumentará automáticamente la configuración en 60 minutos. Para cancelar el programa temporizado, simplemente ajuste el tiempo de encendido automático a 0.0.

11 Botón OSCILAR

Usado para detener o iniciar el movimiento de la rejilla horizontal o para ajustar la dirección deseada del flujo de aire hacia arriba/abajo. La rejilla cambia un ángulo de 6 grados por cada pulsación. Si se mantiene la pulsación por más de 2 segundos, la rejilla oscilará hacia arriba y abajo automáticamente.

12 Botón DIRIGIR

Usado para cambiar el movimiento de la rejilla y ajustar la dirección del flujo de aire hacia arriba/abajo. La rejilla cambia un ángulo de 6° por cada pulsación del botón.

13 Botón FOLLOW ME (SÍGUEME)

Pulse este botón para iniciar la función FOLLOW ME (Sígueme), el control remoto mostrará la temperatura real en ese lugar. El control remoto enviará esa señal al acondicionador de aire cada tres minutos hasta que se pulse de nuevo el botón "Sígueme". El acondicionador de aire cancelará automáticamente esta función si no recibe la señal durante un intervalo de 7 minutos.

14 Botón LED

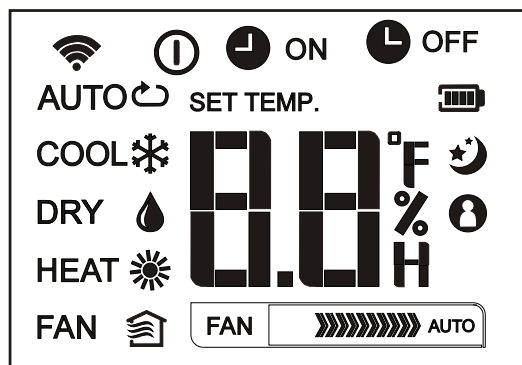
Desactiva/activa la visualización de la pantalla. Al pulsar el botón, la visualización de la pantalla se borra, púselo de nuevo para iluminar la pantalla.

5

Para más información consulte www.MrCool.com

Indicadores de la LCD

Información que se muestra cuando se enciende el control remoto.



Mode display

AUTO COOL DRY
HEAT FAN

- Se muestra cuando se envía la señal remota.
- Se muestra cuando el control remoto está ENCENDIDO
- batería de pantalla (baja batería)

- ON Se muestra cuando la hora del TEMPORIZADOR DE ENCENDIDO está activada.
- OFF Se muestra cuando la hora del TEMPORIZADOR DE APAGADO está activada.
- Muestra la temperatura establecida o la temperatura ambiente, o la hora bajo el ajuste del TEMPORIZADOR.

- Se muestra en modo de suspensión
- Indica que el aire acondicionado está funcionando en modo "sígueme".

Indicación de la velocidad del ventilador

- FAN Velocidad baja
- FAN Velocidad media
- FAN Velocidad alta
- FAN Velocidad automática

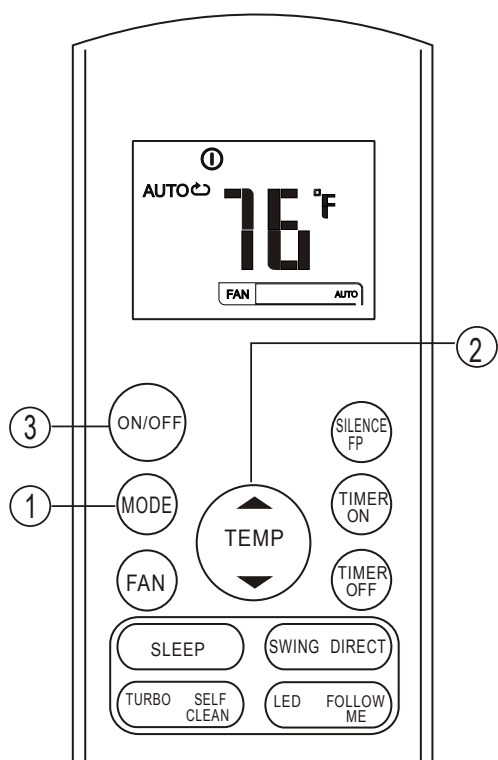
NOTA:

Todos los indicadores que se muestran en la ilustración tienen el propósito de dar una explicación clara. Pero durante el funcionamiento real, solamente se muestran en la pantalla los signos de la función que corresponda.

6

Para más información consulte www.MrCool.com

Cómo usar los botones



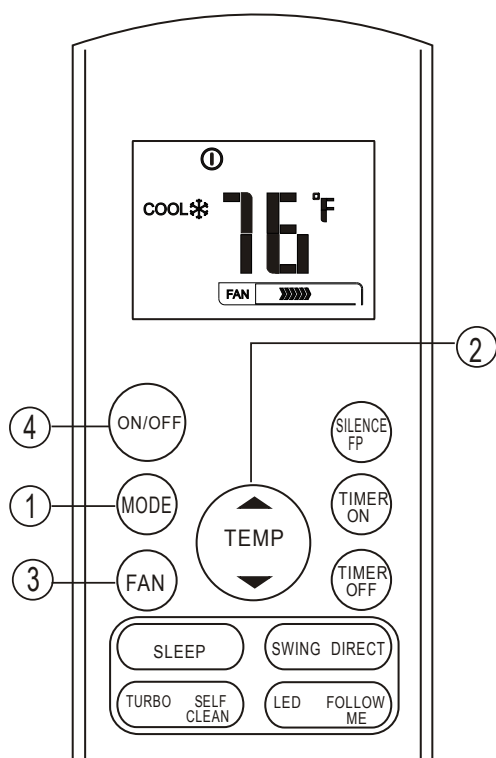
Operación automática

Asegúrese de que la unidad esté conectada y que haya energía disponible. El indicador de FUNCIONAMIENTO en la pantalla del panel de la unidad interior comienza a parpadear.

1. Pulse el botón MODE para seleccionar Auto.
2. Pulse el botón UP/DOWN (flechas de desplazamiento) para establecer la temperatura deseada. La temperatura puede ajustarse en un rango de 16°C~30°C con incrementos de 1°F.
3. Pulse el botón ON/OFF para poner en marcha el acondicionador de aire.

NOTA:

1. En el modo Auto, el acondicionador de aire puede escoger de manera lógica el modo Enfriamiento, Ventilador y Calefacción detectando la diferencia entre la temperatura ambiente real y el ajuste de temperatura en el control remoto.
2. En el modo Auto, no se puede cambiar la velocidad del ventilador. Ya se ha controlado automáticamente.
3. Si el modo Auto no le resulta cómodo, puede seleccionar manualmente el modo deseado.



Operación de enfriamiento/calefacción/ventilador

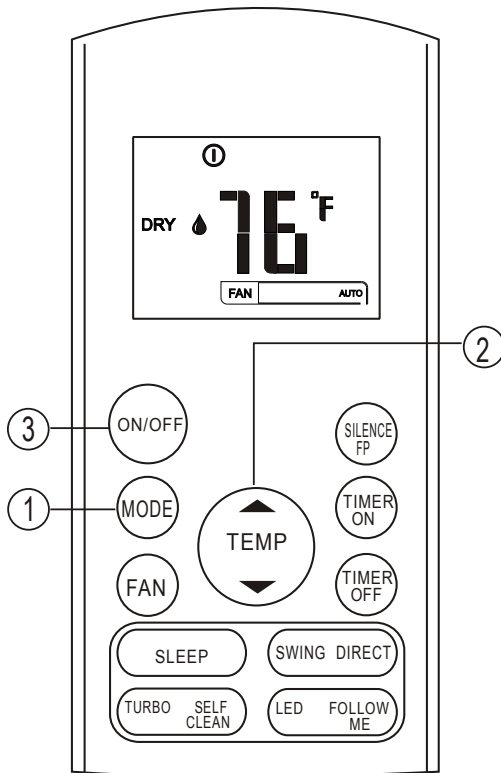
Asegúrese de que la unidad esté conectada y que haya energía disponible.

1. Pulse el botón MODE para seleccionar el modo COOL (enfriamiento), HEAT (calefacción) (este último solo en modelos con enfriamiento y calefacción) o FAN (ventilador).
2. Pulse los botones UP/DOWN (flechas de desplazamiento) para ajustar la temperatura deseada. La temperatura puede ajustarse en un rango de 16°C~30°C con incrementos de 1°F.
3. Pulse el botón FAN para seleccionar la velocidad del ventilador en cuatro pasos: auto, bajo (low), medio (med) o alto (high).
4. Pulse el botón ON/OFF para poner en marcha el acondicionador de aire.

NOTA:

En el modo FAN, la temperatura establecida no se muestra en el control remoto, ni usted puede controlar la temperatura ambiente. En ese caso, solo se pueden realizar los pasos 1, 3 y 4.

Cómo usar los botones



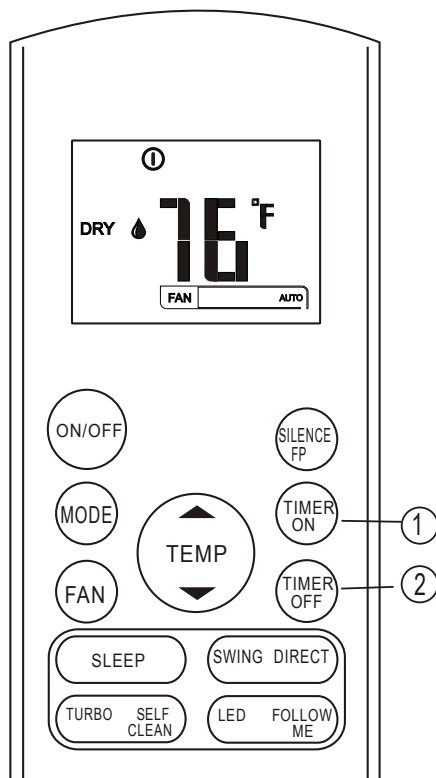
Operación de deshumidificación

Asegúrese de que la unidad esté conectada y que haya energía disponible. El indicador de FUNCIONAMIENTO en la pantalla del panel de la unidad interior comienza a parpadear.

1. Pulse el botón MODE para seleccionar DRY (deshumidificación).
2. Pulse los botones UP/DOWN (flechas de desplazamiento) para ajustar la temperatura deseada. La temperatura puede ajustarse en un rango de 16°C~30°C con incrementos de 1°F.
3. Pulse el botón ON/OFF para poner en marcha el acondicionador de aire

NOTA: En el modo Deshumidificación, no se puede cambiar la velocidad del ventilador. Ya se ha controlado automáticamente.

Cómo usar los botones



Funcionamiento del temporizador

Pulsar el botón TIMER ON ajusta la hora de encendido automático de la unidad. Pulsar el botón TIMER OFF ajusta la hora de apagado automático de la unidad.

Para ajustar la hora de encendido automático:

1. Pulse el botón TIMER ON. El control remoto muestra TIMER ON, el último ajuste de hora de encendido automático y el signo "H" se mostrará en el área de visualización de la LCD. Ahora está listo para reajustar la hora de encendido automático para PONER EN MARCHA el funcionamiento.
2. Pulse el botón TIMER ON de nuevo para ajustar la hora de encendido automático. Cada vez que pulse el botón, la hora se incrementa 30 minutos entre 0 y 10 horas y una hora entre 10 y 24 horas.
3. Después de ajustar el TEMPORIZADOR DE ENCENDIDO, habrá un segundo de demora antes de que el control remoto transmita la señal al acondicionador de aire. Luego, después de aproximadamente otros 2 segundos, desaparecerá el signo "h" y la temperatura establecida reaparecerá en la ventana de visualización de la LCD.

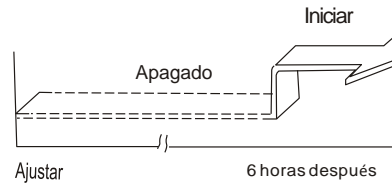
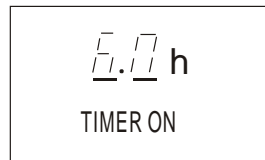
Para ajustar la hora de apagado automático:

1. Pulse el botón TIMER OFF. El control remoto muestra TIMER OFF, la última hora de apagado automático y el signo "H" se mostrará en el área de visualización de la LCD. Ahora está listo para reajustar la hora de apagado automático para detener el funcionamiento.
2. Pulse el botón TIMER OFF de nuevo para ajustar la hora de apagado automático. Cada vez que pulsa el botón, la hora se incrementa 30 minutos entre 0 y 10 horas y una hora entre 10 y 24 horas.
3. Después de ajustar el TEMPORIZADOR DE APAGADO, habrá un segundo de demora antes de que el control remoto transmita la señal al acondicionador de aire. Luego, después de unos 2 segundos, el signo "H" desaparecerá y la temperatura establecida reaparecerá en la ventana de visualización de la LCD.

Funcionamiento del temporizador

⚠ PRECAUCIÓN

- El tiempo de funcionamiento efectivo establecido por el control remoto para la función de temporizador se limita a los siguientes ajustes: 0.5, 1.0, 1.5, 2.0, 2.5, 3.0, 3.5, 4.0, 4.5, 5.0, 5.5, 6.0, 6.5, 7.0, 7.5, 8.0, 8.5, 9.0, 9.5, 10, 11, 12, 13, 14, 15, 16, 17, 18, 19, 20, 21, 22, 23 y 24.



TIMER ON (funcionamiento de auto encendido)

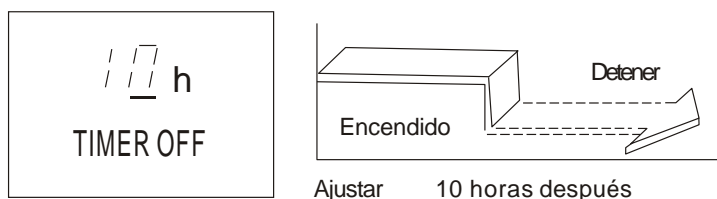
La función TIMER ON es útil cuando desea que la unidad se encienda automáticamente antes de que usted vuelva a casa. El acondicionador de aire se pondrá en marcha automáticamente a la hora establecida.

EJEMPLO:

Para poner en marcha el acondicionador de aire dentro de 6 horas.

1. Pulse el botón **TIMER ON**, se mostrará el último ajuste de hora de inicio de funcionamiento y el signo "h" se mostrará en la pantalla.
2. Pulse el botón **TIMER ON** para mostrar "6.0h" en la pantalla de **TIMER ON** del control remoto.
3. Espere 3 segundos y la pantalla digital mostrará de nuevo la temperatura. El indicador "TIMER ON" permanece encendido y esta función está activada.

Funcionamiento del temporizador



TIMER OFF (funcionamiento de auto apagado)

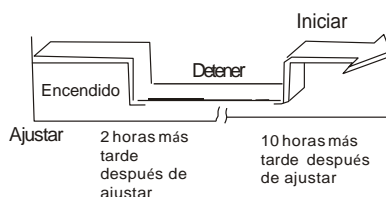
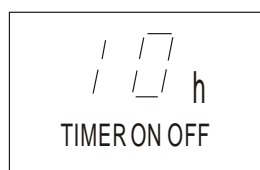
La función TIMER OFF es útil cuando usted desea que la unidad se apague automáticamente después de irse a dormir. El acondicionador de aire se detendrá automáticamente a la hora establecida.

EJEMPLO:

Para detener el acondicionador de aire dentro de 10 horas.

- 1. Pulse el botón TIMER OFF, se mostrará el último ajuste de hora de parada de funcionamiento y el signo "h" se mostrará en la pantalla.*
- 2. Pulse el botón TIMER OFF para mostrar "10h" en la pantalla TIMER OFF del control remoto.*
- 3. Espere 3 segundos y la pantalla digital mostrará de nuevo la temperatura. El indicador "TIMER OFF" permanece encendido y esta función está activada.*

Funcionamiento del temporizador



TEMPORIZADOR COMBINADO

(Ajustar simultáneamente los temporizadores de ENCENDIDO Y APAGADO)

TIMER OFF → TIMER ON

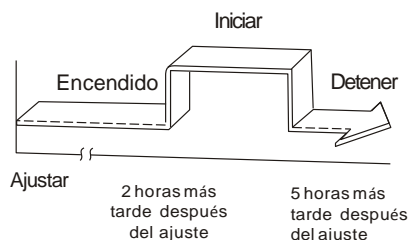
(Encendido → detener → Poner en marcha)

Esta función es útil cuando desea detener el acondicionador de aire después de irse a dormir, y ponerlo en marcha de nuevo en la mañana al despertar o al volver a casa.

EJEMPLO:

Ajuste para detener el aire acondicionado 2 horas después y para ponerlo en marcha de nuevo 10 horas después.

1. Pulse el botón **TIMER OFF**.
2. Pulse el botón **TIMER OFF** de nuevo para mostrar 2.0H en la pantalla **TIMER OFF**.
3. Pulse el botón **TIMER ON**.
4. Pulse el botón **TIMER ON** de nuevo para mostrar 10H en la pantalla **TIMER ON**.
4. Espere 3 segundos y la pantalla digital mostrará de nuevo la temperatura. El indicador "TIMER ON OFF" permanece encendido y esta función está activada.



TIMER ON → TIMER OFF

(Apagado → poner en marcha → detener)

Esta función es útil cuando desea poner en marcha el acondicionador de aire antes de despertar y detenerlo antes de salir de su casa.

EJEMPLO:

Ajuste para poner en marcha el acondicionador de aire 2 horas después y detenerlo 5 horas después.

1. Pulse el botón **TIMER ON**.
2. Pulse el botón **TIMER ON** de nuevo para mostrar 2.0H en la pantalla **TIMER ON**.
3. Pulse el botón **TIMER OFF**.
4. Pulse el botón **TIMER OFF** de nuevo para mostrar 5H en la pantalla **TIMER OFF**.
5. Espere 3 segundos y la pantalla digital mostrará de nuevo la temperatura. El indicador "TIMER ON OFF" permanece encendido y esta función está activada.

Manejo del control remoto

- Use el control remoto dentro de una distancia de 8m del artefacto, apuntándolo hacia el receptor. La recepción es confirmada con un bip.

PRECAUCIÓN

- El acondicionador de aire no funcionará si hay cortinas, puertas u otros materiales que bloqueen las señales del control remoto a la unidad interior.
- Evite que cualquier líquido caiga sobre el control remoto. No exponga el control remoto a la luz solar directa o al calor.
- Si el receptor de señal infrarroja en la unidad interior es expuesto a luz solar directa, el acondicionador de aire podría no funcionar de manera correcta. Use cortinas para evitar que la luz solar caiga sobre el receptor.
- Si otros artefactos eléctricos reaccionan al control remoto, cambie de lugar esos artefactos o consulte con el distribuidor local.
- No deje caer el control remoto. Manéjelo con cuidado.
- No coloque objetos pesados sobre el control remoto, no lo pise.

Uso del soporte para el control remoto (opcional)

- El control remoto puede fijarse a una pared o columna usando un soporte.
- Antes de instalar el soporte del control remoto, verifique que el acondicionador de aire recibe las señales apropiadamente.
- Instale el soporte del control remoto con dos tornillos. Para instalar o retirar el control remoto, muévelo hacia arriba o hacia abajo en el soporte.

Reemplazo de las baterías

Los siguientes casos indican que las baterías están descargadas. Reemplace las baterías viejas con otras nuevas.

- El bip de recepción no se emite cuando se transmite una señal.
- El indicador se desvanece.

El control remoto funciona con dos baterías secas (R03/LR03X3) alojadas en la parte posterior y protegidas por una cubierta.

- (1) Saque la cubierta de la parte posterior del control remoto.
- (2) Saque las baterías descargadas e inserte las nuevas, colocando los polos (+) y (-) de manera correcta.
- (3) Vuelva a colocar la cubierta.

NOTA: Cuando se retira las baterías, el control remoto borra toda la programación. Después de instalar baterías nuevas, el control remoto debe ser reprogramado.

PRECAUCIÓN

- No mezcle baterías nuevas y usadas o baterías de diferentes tipos.
- No deje las baterías dentro del control remoto si no va a usarse durante 2 o 3 meses.
- No deseche las baterías como residuos urbanos no clasificados. Es necesaria la recolección por separado de tales desechos para darles tratamiento especial.

NOTA:

El aparato debe cumplir las siguientes regulaciones nacionales locales.

•En Canadá debe cumplir con CAN ICES-3(B)/NMB-3(B).

•En los EE. UU. este dispositivo cumple con la parte 15 de las reglas sobre FCC. La operación está sujeta a las siguientes condiciones:

(1) Este artefacto no debe causar interferencia nociva, y

(2) Este artefacto debe aceptar cualquier interferencia recibida, incluso interferencias que puedan causar funcionamiento indeseado.

Este equipo ha sido probado y se encontró que cumple con los límites de un artefacto digital clase B, conforme a la parte 15 de las reglas sobre FCC. Estos límites están diseñados para proveer protección razonable contra interferencia nociva en una construcción residencial. Este equipo genera, usa y puede emitir energía de radiofrecuencia y, si no se instala y usa de acuerdo con las instrucciones, puede causar interferencia nociva para las radiocomunicaciones. Sin embargo, no hay garantía de que no ocurra interferencia en una construcción en particular. Si este equipo causa interferencia nociva a la recepción de radio o televisión, lo cual puede ser determinado encendiendo y apagando el equipo, se recomienda al usuario tratar de corregir la interferencia con una o más de las siguientes medidas:

•Reorientar o reubicar la antena receptora.

•Aumentar la separación entre el equipo y el receptor.

•Conectar el equipo en un tomacorriente en un circuito diferente de aquel donde está conectado el receptor.

•Pedir ayuda al distribuidor o a un técnico de radio/TV con experiencia.

•Los cambios o modificaciones no aprobados por la parte responsable del cumplimiento podrían anular la autoridad del usuario para operar el equipo.



El diseño y especificaciones están sujetas a cambio sin previo aviso. Consulte con la agencia de ventas o el fabricante los detalles al respecto.

Para más información consulte www.MrCool.com

Veuillez lire attentivement ce manuel avant l'installation et le conserver pour référence ultérieure.

Manuel d'utilisation de la télécommande



MIRCOOLTM
COMFORT MADE SIMPLE

Veuillez conserver ce manuel à portée de main de l'opérateur. Vous trouverez à l'intérieur des conseils utiles sur la façon d'utiliser et d'entretenir votre appareil correctement.

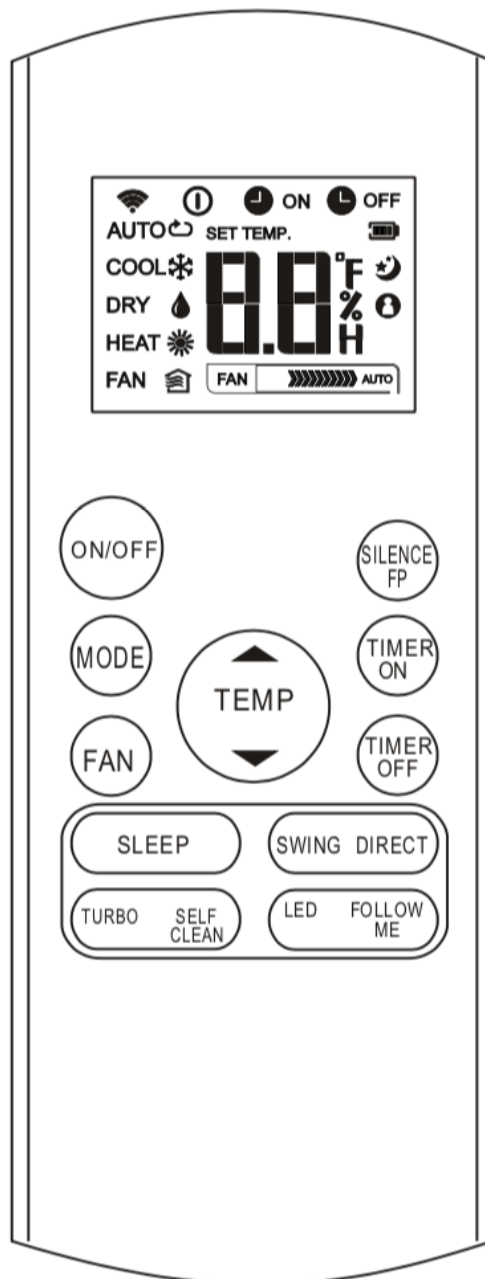
Pour plus de détails, visitez www.MrCool.com

SOMMAIRE

Caractéristiques de la télécommande.....	2
Boutons de fonctionnement.....	3
Indicateurs sur l'écran LCD.....	6
Comment utiliser les boutons.....	7
Fonctionnement automatique.....	7
Fonctionnement de la climatisation/chauffage/ventilation.....	7
Fonctionnement de la déshumidification.....	8
Fonctionnement du minuteur.....	9
Manipulation de la télécommande.....	13

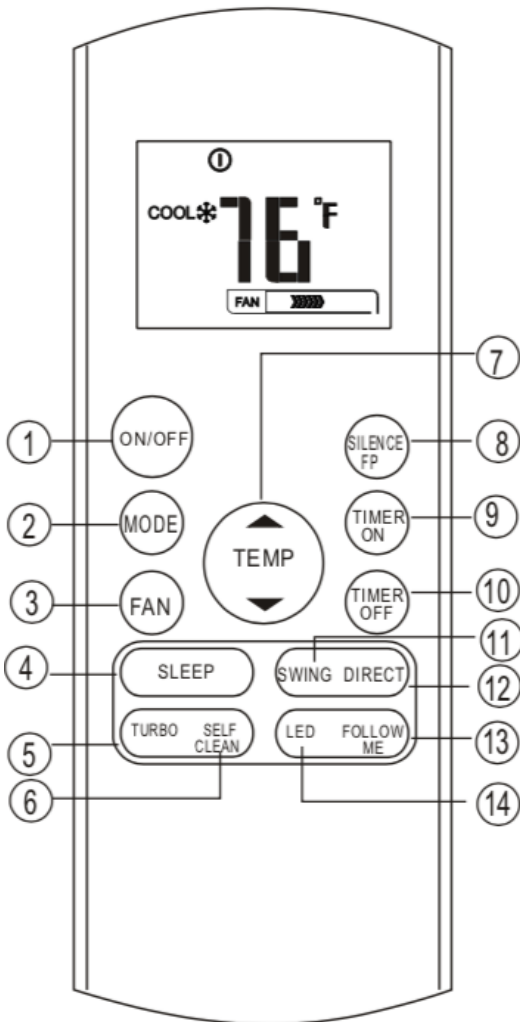
CARACTÉRISTIQUES DE LA TÉLÉCOMMANDE

Modèle	R 57A6/BGEFU1
Tension nominale	3,0 V (Piles sèches R03/LR03 x 2)
Portée de réception du signal	8 m (26,25 pieds)
Plage de réglage de commande à distance	62°F - 86°F (16°C - 30°C)



Pour plus de détails, visitez www.MrCool.com

BOUTONS DE FONCTIONNEMENT

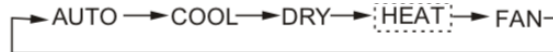


1 Bouton ON/OFF (MARCHE / ARRÊT)

Ce bouton permet d'allumer et d'éteindre le climatiseur.

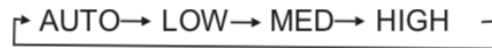
2 Bouton MODE

Appuyer sur ce bouton pour modifier le mode du climatiseur selon la séquence suivante :



3 Bouton FAN (VENTILATEUR)

Permet de sélectionner la vitesse du ventilateur en quatre étapes :



REMARQUE: Vous ne pouvez pas changer la vitesse du ventilateur en mode AUTO ou DRY.

4 Bouton SLEEP (VEILLE)

- Activation/désactivation de la fonction veille. Permet de maintenir la température la plus confortable possible et d'économiser de l'énergie. Cette fonction est disponible seulement en mode COOL, HEAT et AUTO.
- Pour plus de détails, voir le mode SLEEP dans le manuel de l'utilisateur.

REMARQUE : Lorsque l'unité fonctionne en mode SLEEP, il est annulé si vous appuyez sur les touches MODE, FAN SPEED ou ON/OFF.

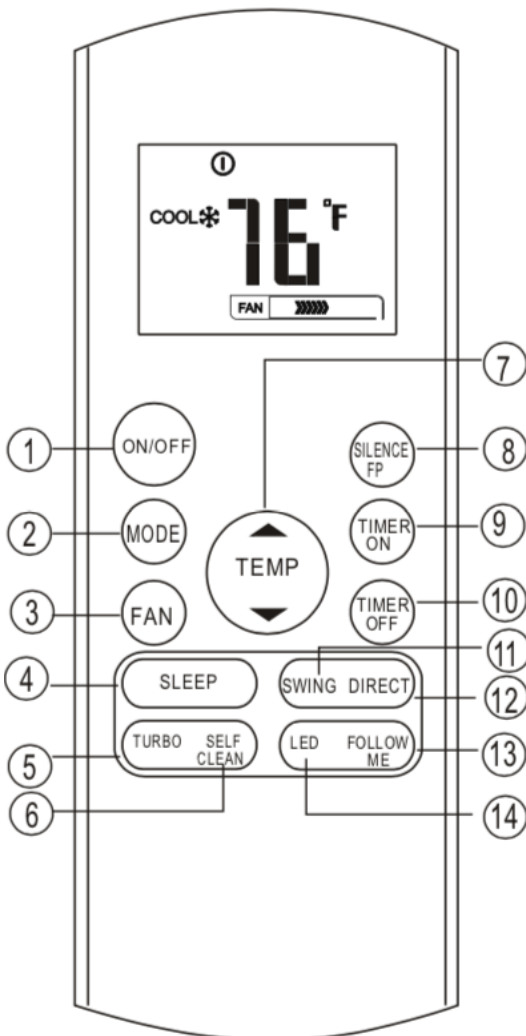
5 Bouton TURBO

Activation/désactivation de la fonction Turbo. La fonction Turbo permet à l'appareil d'atteindre la température prééglée en mode climatisation ou chauffage dans un délai très court.

6 Bouton SELF CLEAN (AUTO-NETTOYAGE)

Activation/désactivation de la fonction SELF CLEAN. En mode SELF CLEAN, le climatiseur nettoie et sèche automatiquement l'évaporateur et le garde frais pour la prochaine opération.

BOUTONS DE FONCTIONNEMENT



7 Bouton UP (Augmenter) (▲)

Appuyer sur ce bouton pour augmenter le réglage de la température intérieure par paliers de 1°F ou 1°C jusqu'à 86°F (30°C).

Bouton DOWN (Baisser) (▼)

Appuyer sur ce bouton pour diminuer le réglage de la température intérieure par paliers de 1°F ou 1°C jusqu'à 62°F (16°C).

REMARQUE: Le contrôle de la température n'est pas disponible en mode Fan (Ventilateur).

REMARQUE: Appuyer sur les boutons UP et DOWN et les maintenir enfoncées pendant 3 secondes pour alterner l'affichage de la température entre les échelles °C et °F.

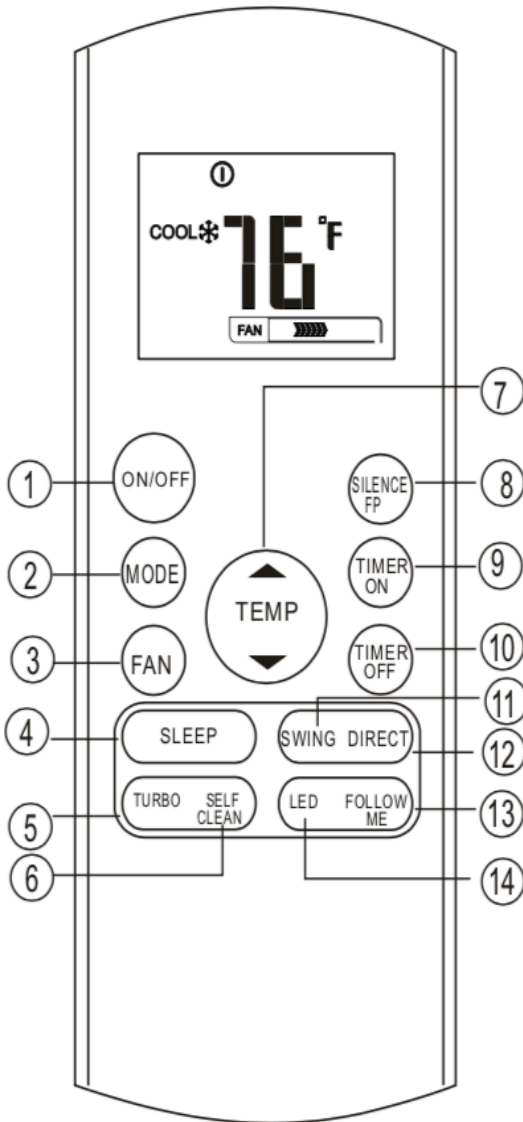
8 Bouton SILENCE/FP (silence)

- Activation/désactivation de la fonction SILENCE. Si vous pressez plus de 2 secondes, la fonction « FP » sera activée. Pressez de nouveau plus de 2 secondes pour la désactiver.
- Lorsque la fonction Silence est activée, le compresseur fonctionnera à basse fréquence et l'unité intérieure apportera une brise légère, ce qui réduira le bruit au niveau le plus bas et créera une pièce calme et confortable pour vous. En raison du fonctionnement à basse fréquence du compresseur, il peut en résulter une capacité de climatisation et de chauffage insuffisante.
- La fonction « FP » ne peut être activée que pendant l'opération de chauffage (uniquement lorsque le mode de réglage est HEAT). L'unité fonctionnera à une température de réglage de 46°F (7,8°C). L'écran d'affichage de l'unité intérieure affichera « FP ». Appuyer sur les boutons ON/OFF, SLEEP, FP, MODE, FAN SPEED, UP ou DOWN pendant le fonctionnement pour annuler la fonction « FP ».

9 Bouton TIMER ON (Minuterie activée)

Appuyez sur ce bouton pour lancer la séquence de mise en marche automatique. Chaque pression augmente le réglage de la minuterie automatique par paliers de 30 minutes. Lorsque l'heure de réglage affiche 10.0, chaque pression augmente la durée du réglage automatique par incréments de 60 minutes. automatiquement. Pour annuler le programme à retardement automatique, il suffit de régler l'heure de mise en marche automatique à 0.0.

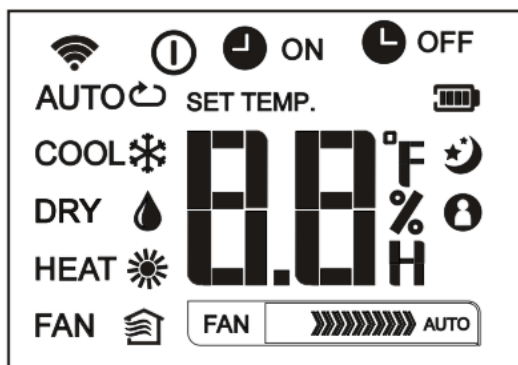
BOUTONS DE FONCTIONNEMENT



- 10 Bouton TIMER OFF (Minuterie désactivée)**
 Appuyez sur cette touche pour lancer la séquence de temps d'arrêt automatique. Chaque pression augmente le réglage de la minuterie automatique par paliers de 30 minutes. Lorsque l'heure de réglage affiche 10.0, chaque pression augmente l'heure de réglage automatique par paliers de 60 minutes. Pour annuler le programme d'arrêt automatique, il suffit d'ajuster le temps d'arrêt automatique à 0.0.
- 11 Bouton SWING (Pivotement)**
 Permet d'arrêter ou de démarrer la fonction de pivotement automatique des volets horizontaux.
- 12 Bouton DIRECT (Direction)**
 Permet de modifier le mouvement des volets et de régler la direction souhaitée du flux d'air vers le haut ou vers le bas. L'angle du volet change de 60° pour chaque presse.
- 13 Bouton FOLLOW ME (« Me suivre »)**
 Appuyez sur ce bouton pour lancer la fonction « Me suivre », la télécommande affichera la température réelle à son emplacement. La télécommande enverra ce signal au climatiseur toutes les 3 minutes jusqu'à ce le bouton « Follow me » est appuyé de nouveau. Le climatiseur annulera automatiquement la fonction s'il ne reçoit pas le signal dans un intervalle de 7 minutes.
- 14 Bouton LED (Lumière)**
 Désactiver / Activer l'affichage de l'écran intérieur. Lorsque vous appuyez sur cette touche, l'écran intérieur disparaît, appuyez de nouveau sur ce bouton pour allumer l'écran.

INDICATEURS DE L'ÉCRAN LCD

Les informations sont affichées lorsque la télécommande est sous tension.



Affichage du mode

AUTO COOL DRY
HEAT FAN

-
- Affiché lors de la transmission des données.
 - Affiché lorsque la télécommande est en MARCHÉ.
 - Affichage de la pile (détection de pile faible)
-
- ON Affiché lorsque l'heure du mode TIMER ON est réglée.
 - OFF Affiché lorsque l'heure du mode TIMER OFF est réglée.
- Affichage de la température réglée ou de la température ambiante, ou de l'heure en mode MINUTERIE
-
- Affiché en mode Sleep.
 - Indique que le climatiseur fonctionne en mode Follow me.

Indication de la vitesse du climatiseur

- Basse vitesse
- Vitesse moyenne
- Vitesse élevée
- Vitesse du ventilateur en mode automatique

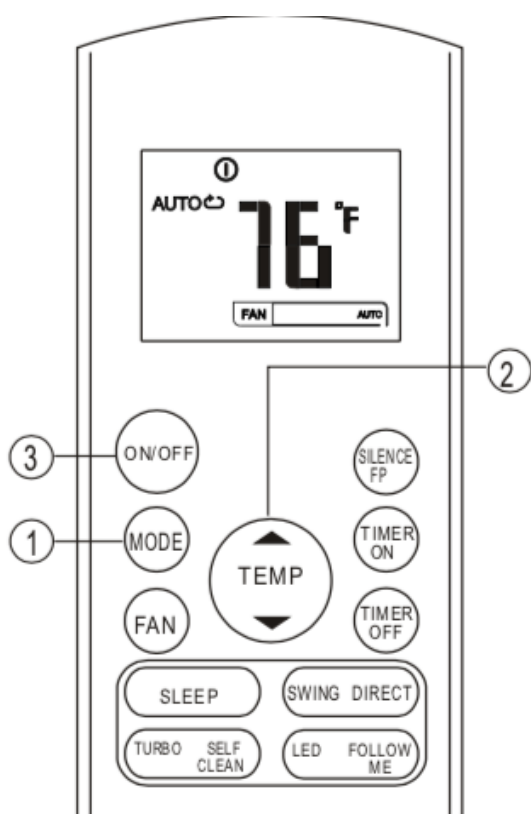
Remarque :

Tous les indicateurs présentés dans la figure le sont à des fins de présentation claire. Mais pendant l'opération actuelle, seuls les signes fonctionnels relatifs sont affichés sur la fenêtre d'affichage.

Comment utiliser les boutons

Fonctionnement automatique

S'assurer que l'unité est branchée et qu'elle est sous tension. Le voyant OPERATION sur le panneau d'affichage de l'unité intérieure commence à clignoter.



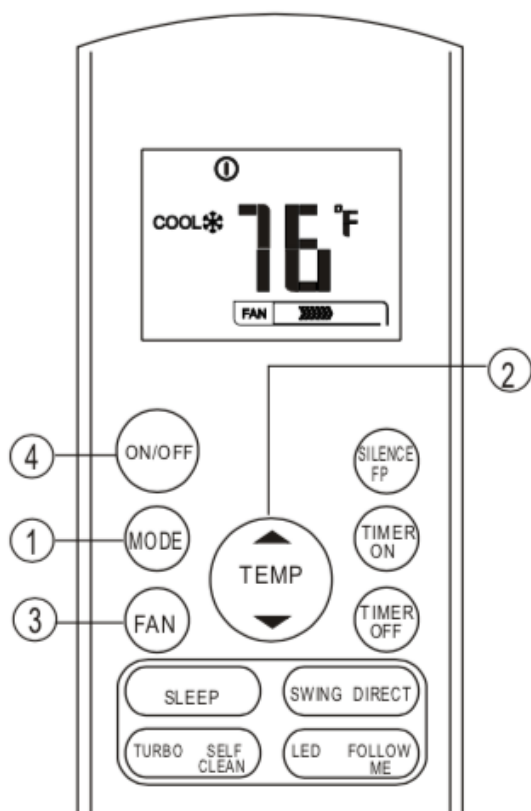
1. Appuyer sur le bouton **MODE** pour sélectionner « Auto ».
2. Appuyer sur le bouton **UP** (▲) pour augmenter le réglage de la température par paliers de 1°F ou 1°C jusqu'à 86°F (30°C) ou appuyer sur le bouton **DOWN** (▼) pour diminuer le réglage de la température par paliers de 1°F ou 1°C jusqu'à 62°F (16°C).

REMARQUE :

1. En mode Auto, le climatiseur peut logiquement choisir le mode Cooling, Fan et Heating en détectant la différence entre la température ambiante réelle et la température réglée sur la télécommande.
2. En mode Auto, vous ne pouvez pas changer la vitesse du ventilateur. Il sera automatiquement contrôlé.
3. Pour désactiver le mode Auto, le mode souhaité peut être sélectionné manuellement.

Climatisation / Chauffage / Ventilation

S'assurer que l'unité est branchée et qu'elle est sous tension.



1. Appuyer sur le bouton **MODE** pour sélectionner le mode COOL, HEAT ou FAN.
2. Appuyer sur le bouton **UP** (▲) pour augmenter le réglage de la température par paliers de 1°F ou 1°C jusqu'à 86°F (30°C) ou appuyer sur le bouton **DOWN** (▼) pour diminuer le réglage de la température par paliers de 1°F ou 1°C jusqu'à 62°F (16°C).
3. Appuyer sur le bouton **FAN** pour sélectionner la vitesse du climatiseur selon quatre étapes : Auto, Low, Med ou High.

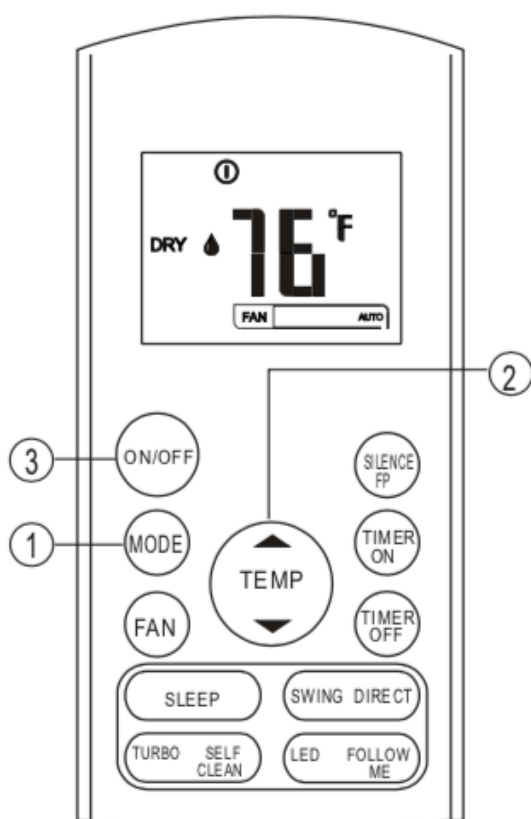
REMARQUE

En mode FAN, la température réglée n'est pas affichée sur la télécommande et vous ne pouvez pas non plus contrôler la température ambiante. Dans ce cas, seules les étapes 1 et 3 peuvent être effectuées.

Opération de déshumidification

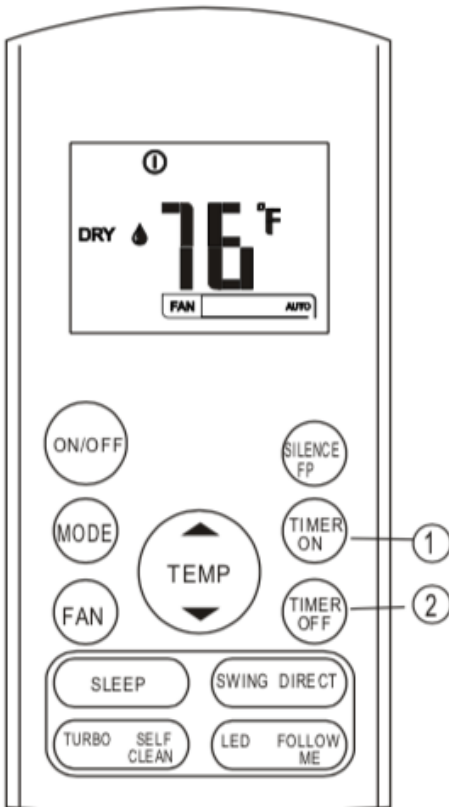
S'assurer que l'unité est branchée et qu'elle est sous tension. Le voyant OPERATION sur le panneau d'affichage de l'unité intérieure commence à clignoter.

1. Appuyer sur le bouton MODE pour sélectionner le mode DRY.
2. Appuyer sur le bouton **UP** (▲) pour augmenter le réglage de la température par paliers de 1°F ou 1°C jusqu'à 86°F (30°C) ou appuyer sur le bouton **DOWN** (▼) pour diminuer le réglage de la température par paliers de 1°F ou 1°C jusqu'à 62°F (16°C).



En mode Dehumidifying, vous ne pouvez pas changer la vitesse du ventilateur. Elle sera automatiquement contrôlée.

Comment utiliser les boutons



Fonctionnement de la minuterie

Appuyer sur le bouton TIMER ON permet de régler l'heure de mise en marche automatique de l'unité. Appuyer sur le bouton TIMER OFF pour régler l'heure d'arrêt automatique.

Pour régler l'heure de mise en marche automatique.

1. Appuyer sur le bouton TIMER ON. La télécommande affichera TIMER ON, la dernière heure de mise en marche automatique et le signal « H » seront affichés sur l'écran LCD. Elle est maintenant prête à réinitialiser l'heure de mise en marche automatique pour démarrer l'opération (START).
2. Appuyer à nouveau sur le bouton TIMER ON pour régler l'heure de mise en marche automatique désirée. Chaque fois que vous appuyez sur le bouton, le temps augmente d'une demi-heure entre 0 et 10 heures et d'une heure entre 10 et 24 heures.
3. Après avoir réglé le bouton TIMER ON, il y aura un délai d'une seconde avant que la télécommande ne transmette le signal au climatiseur. Après environ 2 secondes, le signal « H » disparaîtra et la température réglée réapparaîtra sur l'écran LCD.

Pour régler l'heure d'arrêt automatique.

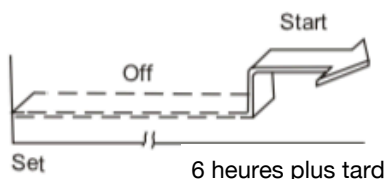
1. Appuyer sur la touche TIMER OFF. La télécommande affichera TIMER OFF, le dernier temps de réglage de l'arrêt automatique et le signal « H » s'afficheront sur l'écran LCD. Elle est maintenant prête à réinitialiser le temps d'arrêt automatique pour arrêter l'opération.
2. Appuyer à nouveau sur le bouton TIMER OFF pour régler l'heure d'arrêt automatique désirée. Chaque fois que vous appuyez sur le bouton, le temps augmente d'une demi-heure entre 0 et 10 heures et d'une heure entre 10 et 24 heures.
3. Après avoir réglé le bouton TIMER OFF, il y aura un délai d'une seconde avant que la télécommande ne transmette le signal au climatiseur. Après environ 2 secondes, le signal « H » disparaîtra et la température réglée réapparaîtra sur l'écran LCD.

Comment utiliser les boutons

▲ ATTENTION

- Lorsque vous sélectionnez un fonctionnement avec minuterie, la télécommande transmet automatiquement le signal de la minuterie à l'unité intérieure pendant la durée spécifiée. Par conséquent, gardez la télécommande dans un endroit où elle peut transmettre correctement le signal à l'unité intérieure.
- La durée de fonctionnement effective réglée par la télécommande pour la fonction minuterie est limitée aux paramètres suivants : 0,5, 1,0, 1,5, 2,0, 2,5, 3,0, 3,5, 4,0, 4,5, 5,0, 5,5, 6,0, 6,5, 7,0, 7,5, 8,0, 8,5, 9,0, 9,5, 10, 11, 12, 13, 14, 15,16,17, 18, 19, 20, 21, 22, 23 et 24.

Exemple de réglage de la minuterie



TIMER ON

(Fonctionnement automatique)

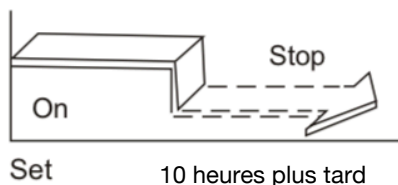
La fonction TIMER ON est utile lorsque vous voulez que l'appareil s'allume automatiquement avant votre retour à la maison. Le climatiseur se met automatiquement en marche à l'heure réglée.

Exemple :

Démarrer le climatiseur dans 6 heures.

1. Appuyer sur la touche TIMER ON, le dernier réglage de l'heure de démarrage et le signal « H » s'afficheront sur l'écran.
2. Appuyer sur la touche TIMER ON pour afficher « 6.0H » sur l'écran TIMER ON de la télécommande.
3. Attendre 3 secondes et l'écran numérique affichera à nouveau la température. Le voyant « TIMER ON » reste allumé et cette fonction est activée.

Comment utiliser les boutons



TIMER OFF

(Fonctionnement d'arrêt automatique)

La fonction TIMER OFF est utile lorsque vous voulez que l'unité s'éteigne automatiquement après le coucher. Le climatiseur s'arrêtera automatiquement à l'heure réglée.

Exemple :

Arrêter le climatiseur dans 10 heures.

1. Appuyer sur le bouton TIMER OFF, le dernier réglage du temps d'arrêt de l'opération et le signal « H » s'afficheront à l'écran.
2. Appuyer sur le bouton TIMER OFF pour afficher « 10H » à l'écran TIMER OFF de la télécommande.
3. Attendre 3 secondes et la zone d'affichage numérique affichera à nouveau la température. Le voyant « TIMER OFF » reste allumé et cette fonction est activée.

MINUTERIE COMBINÉE

(Réglage simultané des minuteries ON et OFF)

TIMER OFF => TIMER ON

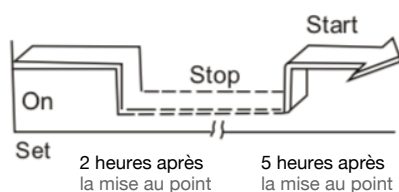
(On => Stop => Start operation)

Cette fonction est utile lorsque vous voulez arrêter le climatiseur après le coucher et le redémarrer le matin au réveil ou au retour à la maison.

Exemple :

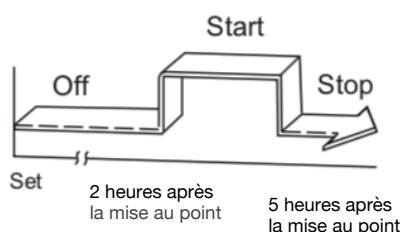
Pour arrêter le climatiseur 2 heures après le réglage et le redémarrer 10 heures après le réglage.

1. Appuyer sur le bouton TIMER OFF.
2. Appuyer de nouveau sur le bouton TIMER OFF pour afficher 2.0H sur l'écran TIMER OFF.
3. Appuyer sur le bouton TIMER ON.
4. Appuyer à nouveau sur le bouton TIMER ON pour afficher 10H sur l'écran TIMER ON.
5. Attendre 3 secondes et la zone d'affichage numérique affichera à nouveau la température. Le voyant « TIMER ON OFF » reste allumé et cette fonction est activée.



Pour plus de détails, visitez www.MrCool.com

Comment utiliser les boutons



TIMER ON => TIMER OFF
(Off => Start => Stop operation)

Cette fonction est utile lorsque vous voulez démarrer le climatiseur avant de vous réveiller et l'arrêter après avoir quitté la maison.

Exemple :

Pour démarrer le climatiseur 2 heures après le réglage et l'arrêter 5 heures après le réglage.

1. Appuyer sur le bouton TIMER ON.
2. Appuyer à nouveau sur le bouton TIMER ON pour afficher 2.0H sur l'écran d'affichage TIMER ON.
3. Appuyer sur le bouton TIMER OFF.
4. Appuyer de nouveau sur le bouton TIMER OFF pour afficher 5.0H sur l'écran d'affichage TIMER OFF.
5. Attendre 3 secondes et la zone d'affichage numérique affichera à nouveau la température. Le voyant « TIMER ON & TIMER OFF » reste allumé et cette fonction est activée.

Manipulation de la télécommande

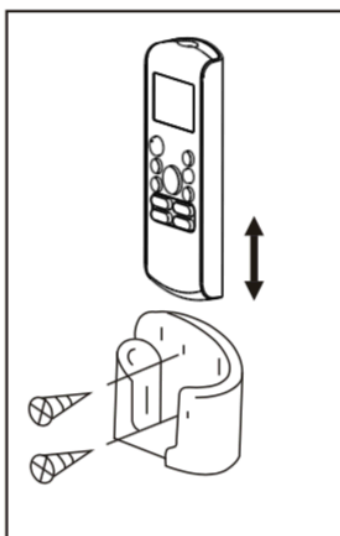


Emplacement de la télécommande.

- Utiliser la télécommande à une distance de 8 m (26,25 pied) de l'appareil, en la dirigeant vers le récepteur. La réception est confirmée par un bip sonore.

⚠ ATTENTION

- Le climatiseur ne fonctionnera pas si des rideaux, des portes ou d'autres matériaux bloquent les signaux allant de la télécommande à l'unité intérieure.
- Empêcher tout liquide de tomber dans la télécommande. Ne pas exposer pas la télécommande à la lumière directe du soleil ou à la chaleur.
- Si le récepteur de signaux infrarouges de l'unité intérieure est exposé à la lumière directe du soleil, il se peut que le climatiseur ne fonctionne pas correctement. Utiliser des rideaux pour empêcher la lumière du soleil de tomber sur le récepteur.
- Si d'autres appareils électriques réagissent à la télécommande, déplacez ces appareils ou consultez votre revendeur local.
- Ne pas laisser tomber la télécommande. Manipuler avec précaution.
- Ne pas placer d'objets lourds sur la télécommande et ne pas marcher dessus.



Utilisation du support de télécommande

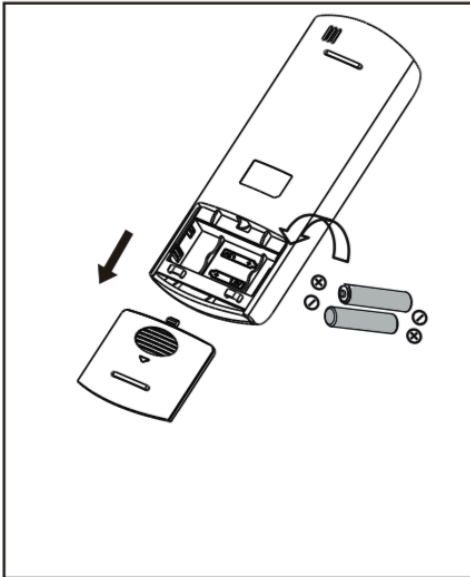
La télécommande peut être fixée à un mur ou à une colonne à l'aide d'un support de télécommande.

Avant d'installer la télécommande, vérifier que le climatiseur reçoit correctement les signaux.

Installer la télécommande à l'aide de deux vis.

Pour installer ou retirer la télécommande, déplacez-la vers le haut ou vers le bas dans le support.

Manipulation de la télécommande



Remplacement des piles

Les cas suivants signifient que les piles sont déchargées. Remplacer les vieilles piles par des neuves.

- Le bip de réception n'est pas émis lorsqu'un signal est transmis.
- Le voyant s'éteint.

La télécommande est alimentée par deux piles sèches (R03/LR03X2) logées dans la partie arrière et protégées par un couvercle.

- (1) Retirer le couvercle dans la partie arrière de l'appareil télécommande.
- (2) Retirer les anciennes piles et insérer les nouvelles en plaçant les extrémités (+) et (-) correctement.
- (3) Remettre le couvercle en place.

REMARQUE : Lorsque les piles sont retirées, la télécommande efface toute la programmation. Après avoir inséré de nouvelles piles, la télécommande doit être reprogrammée.

⚠ ATTENTION

- Ne pas mélanger des piles usagées et neuves ou des piles de types différents.
- Ne pas laisser les piles dans la télécommande si elles ne sont pas utilisées pendant 2 ou 3 mois.
- Ne pas jeter les piles avec les déchets municipaux non triés. La collecte séparée de ces déchets en vue d'un traitement spécial est nécessaire.



La conception et les spécifications peuvent être modifiées sans préavis.
Consulter l'agence de vente ou le fabricant pour plus de détails.

Pour plus de détails, visitez www.MrCool.com